

## HDC-890/895

[www.honeywellsecurity.com.au](http://www.honeywellsecurity.com.au)

### High Resolution WDR Fixed Dome Camera

Honeywell HDC-890/895 fixed dome cameras adopt Honeywell proprietary superior digital signal processor (DSP)-icore™, which is developed basing on Honeywell's enriched and professional video surveillance knowledge to produce outstanding image. The HDC-890/895 cameras are equipped with enhanced back light compensation functionality to optimize an exposure in various back light conditions; 580TVL High resolution and superior color reproduction provide excellent performance in various situations. With excellent WDR function, HDC-890/895 cameras overcome natural light limitation and provide perfect image with outstanding accuracy details. Day/Night switch function and digital noise reduction ensure the high quality image always. With 3 axis design and 360°+10°horizontal rotation, making quick installation and easy setup. In addition, both motion detection and privacy masking provide further protection to surveillance management system

HDC890/895 fixed dome cameras have different focal range lens version and true day night version for customers' choice.

#### Market Opportunities

Honeywell HDC-890/895 fixed dome cameras are designed for general cost-effective, high-resolution surveillance applications where a color image and object identification and recognition are required. Both cameras are excellent fitted at general indoor surveillance applications in retails, institutions, financials, offices, hospitals, factories and other various interior environments.

### FEATURES

- 1/3" CCD with icore™ DSP
- 580 TV Lines of high resolution
- Enhanced backlight compensation with WDR, BMB
- Minimum illumination 0.001Lux
- Enhanced function with DSP, Digital Noise Reduction, PIP(picture in picture), Quad View, Mirror, Digital Zoom
- Multi-language OSD, motion detection, Privacy masking
- 3-Axis rotation Design and 360°+10° horizontal rotation
- True Day/Night version available (HDC-890N(P)TV/HDC-895PTV)
- Dual power version available (HDC-895PV/PTV)
- Multi Language OSD support



## HDC-890/895

www.honeywellsecurity.com.au

High Resolution WDR Fixed Dome Camera

### SPECIFICATIONS

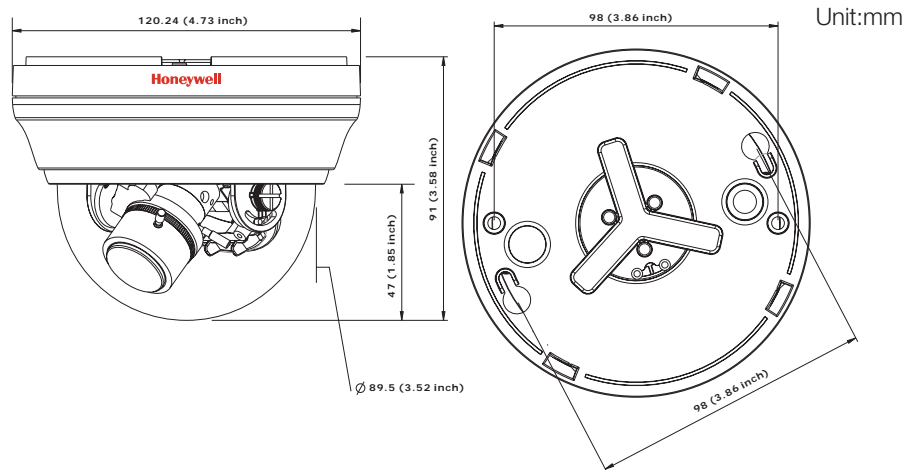
Model	HDC-890N-36	HDC-890NV	HDC-890NTV	HDC-890P-36	HDC-890P-60	HDC-890PV	HDC-890PTV	HDC-895PV	HDC-895PTV
Video Standard	NTSC			PAL					
Image Sensor	1/3" Interline Transfer CCD								
Effective Pixels	768 (H) x 494 (V)			752 (H) x 582 (V)					
Horizontal Resolution	580TVL								
Minimum Illumination	1.0 lx (50IRE); 0.01 lx (DSS); 0.001 lx (TDN, DSS);								
Video Output	1.0 V p-p, 75 Ohms								
Synchronization	Internal								
Day/Night	SDN		TDN	SDN			TDN	SDN	TDN
BLC	BLC ( off/low/medium/high); BMB; WDR( 0-20 adjustable)								
White Balance	ATW/AWC/One-push Lock/Indoor/Outdoor/Manual								
OSD	Option - English / Japanese / Korean / Simple Chinese/ Traditional Chinese								
Privacy Function	8 zones								
S/N Ratio (dB)	>50dB								
Auto Gain Control (AGC)	0-40dB								
AEC (Sec)	1/60-1/100,000			1/50-1/100,000					
Lens	3.6mm fixed	2.8-10mm varifocal		3.6mm fixed	6mm fixed	2.8-10mm varifocal			
Power Source	12 VDC (Range: 11-16VDC)							12 VDC/24VAC(Dual Power)	
Surge Suppression	1.5 kW transient								
Power Consumption	Approx. 3W								
Dimensions	91mm(H) x 120mm(ø)								
Weight	230g							260g	
Operating Temperature	-10°C to 50°C								
Certification	CE/FCC								

## HDC-890/895

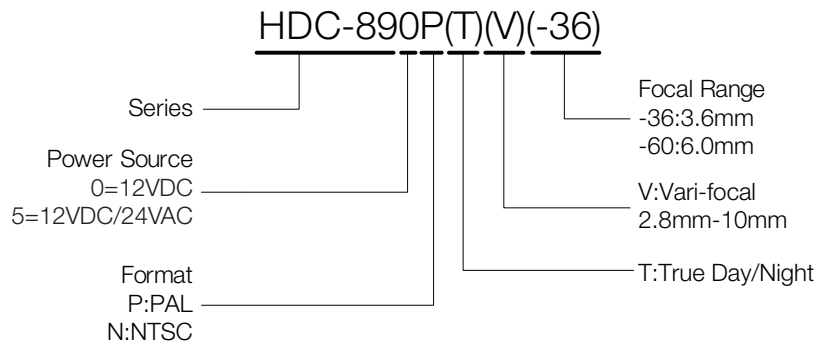
www.honeywellsecurity.com.au

High Resolution WDR Fixed Dome Camera

### DIMENSIONS



### ORDERING



For more information:

Security Asia Pacific Headquarters  
Security Australia  
Security Australia National Sales Hotline  
Security China  
Security China Customer Service Hotline

Tel: (86) 21-2219 6888  
Tel: (61) 2-9353 7000  
Tel: 1300 765 532  
Tel: (86) 21-2219 6888  
Tel: 400-8800-330

Security Hong Kong  
Security India  
Security Korea  
Security Singapore  
Security Taiwan

Tel: (852) 2405 2323  
Tel: (91) 124 4029800  
Tel: (82) 2-799 6130  
Tel: (65) 6333 9563  
Tel: (886) 2-2245 1000

www.honeywellsecurity.com.au  
security.ap@honeywell.com

**Honeywell Security Group**  
Automation & Control Solutions  
Honeywell International Inc.  
www.security.honeywell.com

Nov 2009  
© 2009 Honeywell International Inc.